






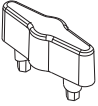
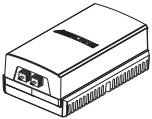
INSTALLATION MANUAL



DP-65C

6.5 INCH 2-WAY SPEAKER SYSTEM

1 SPEAKER SYSTEM PARTS

WOOFER	GRILLE (SOLD SEPARATELY)	SCREW M4×30mm
 ×2	 ×2	 ×15
TWEETER	TWEETER FLUSH MOUNT	TWEETER REMOVAL JIG
 ×2	spacerA  ×2	 ×1
CROSSOVER NETWORK		
 ×2		

2 SPECIFICATIONS

SPEAKER UNIT	WEIGHT	DIAMETER
WOOFER	1240g	165mm
TWEETER	72g	59mm



CROSSOVER	WEIGHT	LENGTH	WIDTH	HEIGHT
	120g	86.5mm	51.9mm	30.9mm

POWER HANDLING (PEAK)	240W
POWER HANDLING (RMS)	50W




To ensure safe use, be sure to observe the following.

- In order to ensure that you can use this product safely and correctly, and prevent harm to others or property damage, please fully understand the contents, various illustrations, text, diagrams and their meanings used in this manual.

■ Explanation of the harm and the degree of loss caused by misuse

 WARNING	Indicates content that may result in death or serious injury if this sign is ignored and used incorrectly.
 CAUTION	Indicates content that may result in personal injury or only material damage if misused by ignoring this label.

■ Description of content to be followed

 Mandatory	Indicates mandatory content that must be implemented.
 Prohibit	Indicates prohibited (disallowed) content.
	Indicates content that must be noted (including warnings).

WARNING



Mandatory

DC12V negative grounding dedicated product.

Do not use for 24V models. Failure to do so may result in an accident, fire, or malfunction.

For safety reasons, when installing, wiring or changing the installation location, be sure to entrust an Alpine dealer to carry out the installation.

Professional skills and experience are required for installation, wiring or disassembly. Incorrect installation, wiring, or disassembly may result in accidents, fires, injuries, or malfunctions. Installation and wiring performed by the customer may cause accidents, fires, injuries, or malfunctions.

Install and wire according to the manual.

Please follow the steps to work correctly. Otherwise, fire or accident may result.

Before performing wiring work, remove the ground wire from the negative terminal of the battery, and then perform wiring work.

Otherwise, electric shock or injury may result.

Cables should be placed so as not to interfere with vehicle and driving operations etc., it may cause traffic accidents and malfunctions.

If it gets tangled in the steering wheel, shift lever, brake pedal, etc., it may cause traffic accidents and malfunctions.

Insulate the part of the cable without an insulating layer with tape, etc.

If swallowed, it may cause an accident or injury. If swallowed, seek medical attention immediately.



Prohibit

Keep small parts such as screws out of the reach of children.

If they are used in an inoperable state, fire, electric shock, or traffic accidents may result.



Prohibit

After the installation and wiring are completed, confirm whether the electronic components can work normally.

It is strictly forbidden to strip of the insulation layer of the wire and use it as a power for other equipment. Otherwise, accident, fire, or electric shock may result.

Do not disassemble or modify this product.

Otherwise accidents and injuries may result.

Do not install in a position that will affect the visibility, position that will affect the driving operation such as the steering wheel and shift lever, or a position that will endanger the passengers in the car.

Otherwise it may cause an accident or fire.

When opening holes in the body, be careful not to damage pipelines, water tanks, electrical circuits, etc.

WARNING



Mandatory

When wiring, please be careful not to let the wires be caught by movable parts such as the body, screw parts, seat rails, etc., or by the protrusions.

Otherwise, it may cause electric shock or fire due to disconnection or short circuit.

Use accessories as prescribed and secure them properly.

he use of non-included parts or the use of included parts for purposes other than those for which they are intended may cause damage to the internal parts of the device. If they are not securely fastened, they may fall off and interfere with driving, which may result in accidents or malfunctions.



Prohibit

When wiring lead wires, be careful not to touch the high temperature parts of the vehicle body.

Otherwise, fire or electric shock may result.

Do not install in places that will be wet, damp or dusty.

Otherwise, fire or malfunction may result.

Precautions for use

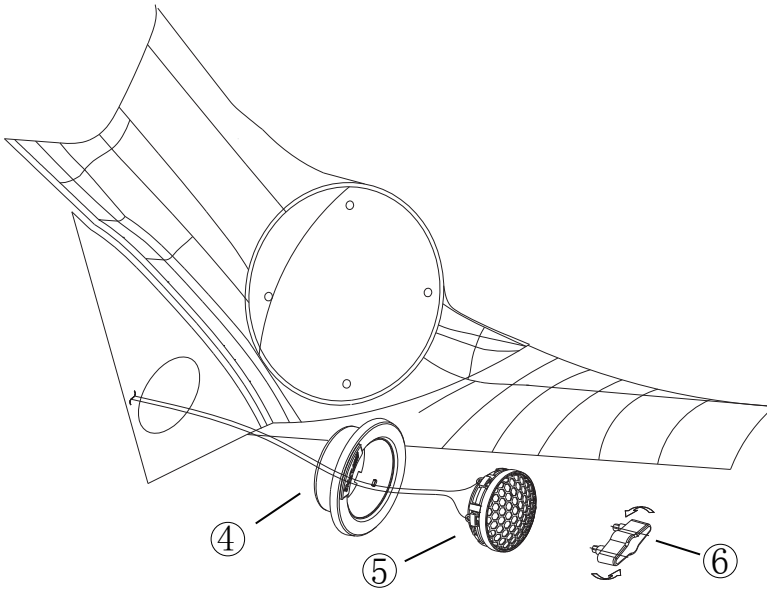
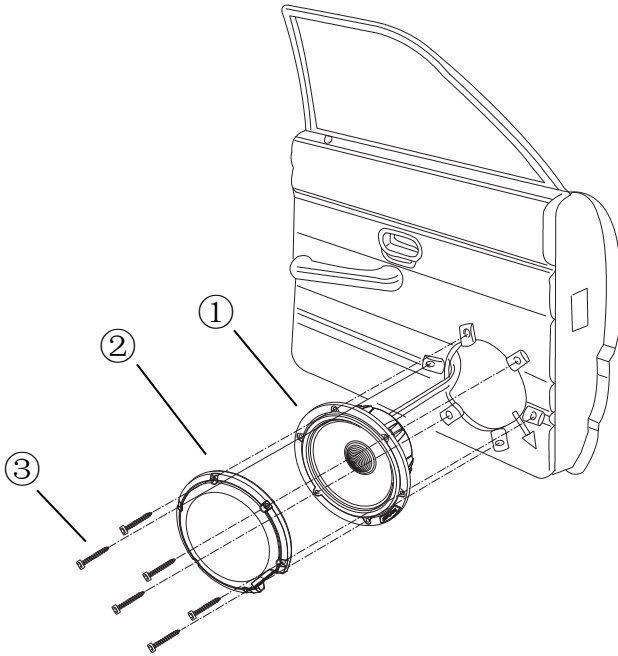


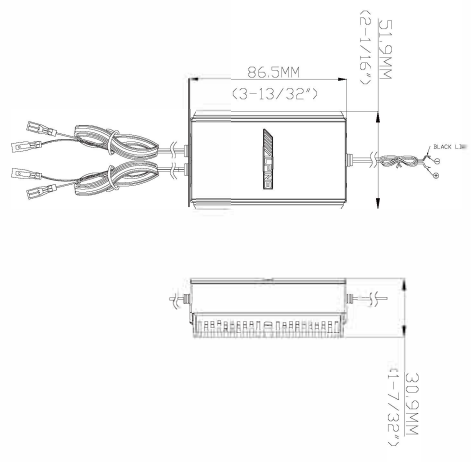
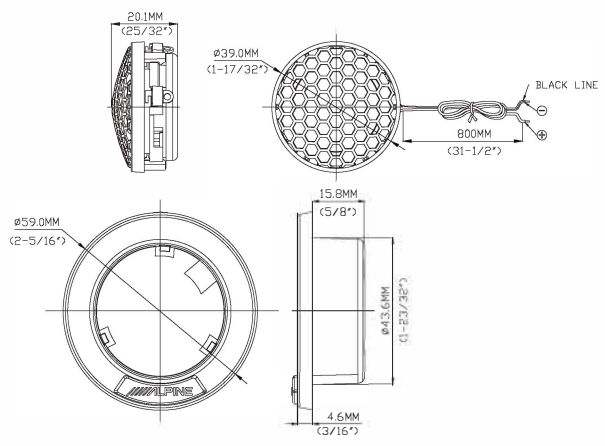
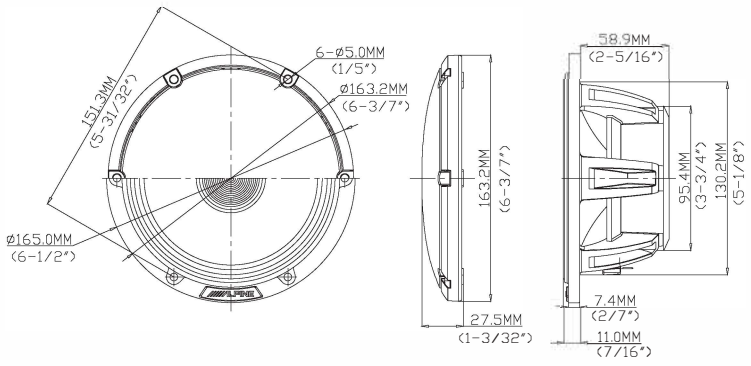
Speaker damage may occur if sound is played at high volume.

In use, please control the volume level so that you can hear important sounds outside the car such as emergency sirens. Failure to do so may result in an accident, malfunction or hearing damage.

Do not place heavy objects on the speaker.

Failure to do so will result in malfunction.







ALPINE ELECTRONICS OF AMERICA, INC.

1500 Atlantic Blvd,
Auburn Hills, Michigan 48326, U.S.A.
Phone 1-800-ALPINE-1 (1-800-257-4631)

ALPINE ELECTRONICS OF AUSTRALIA PTY. LIMITED

161-165 Princes Highway,
Hallam Victoria 3803, Australia
Phone: 03 8787 1200
www.alpine.com.au

ALPS ALPINE EUROPE GmbH

Ohmstrasse 4, 85716 Unterschleissheim, Germany
Phone: +49 (0) 89-32 42 640
For contact information on your respective country,
please visit www.alpine-europe.com.

ALPS ALPINE EUROPE GmbH

Aurora House, Deltic Avenue
Rooksley, Milton Keynes, MK13 8LW
United Kingdom
Phone: 0345-313-1640

ALPS ALPINE ASIA CO., LTD

The 9th Towers, Tower B, 24th Floor, Unit TNB01-03, 33/4
Rama 9 road, Huay Kwang, Bangkok, 10310, Thailand
Phone +66 (2) 090 9596